

## MOLDS, DIES AND TOOLING

**Gestión de Compras** designs, develops and manufactures molds for injection molding, blow molding, rotational molding...

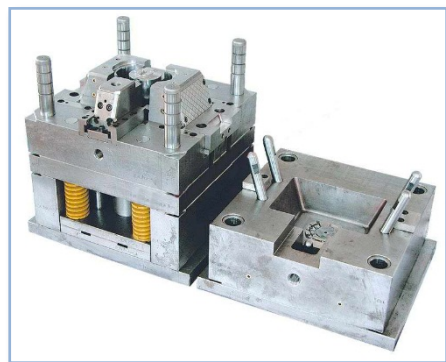
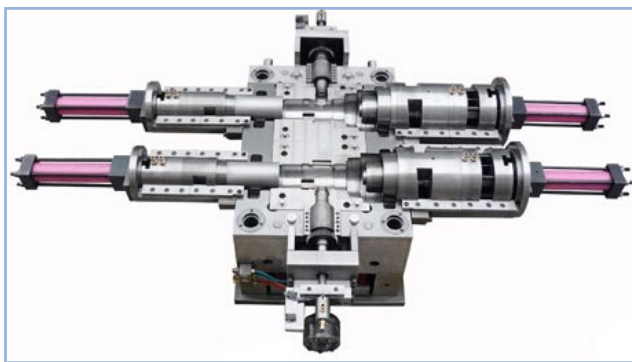
### PROCESS:

Molds (or moulds) are hollow pieces with the details and exterior reliefs of the part to be produced. Normally, two parts or relevant parts can be distinguished in a mold, one part forms or prints the frontal part of the piece and the second one form the rear.

### Factors to be considered when making a mold

- Choice of the best method of production for your plastic part.
- Size and complexity of the part designed.
- Product cost (number of units to be made).
- Requirements for surface finish of the workpiece.

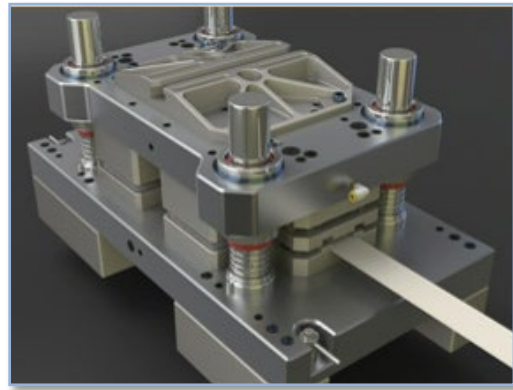
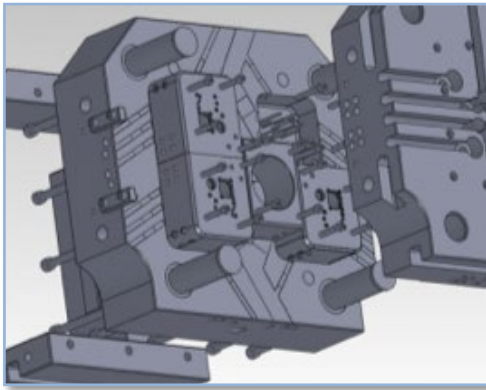
An equally important factor is the changes that may take place. Introducing changes during the early stages of the project will have a much lower cost than changes in final stages.



For the development of molding, are vital high-quality molds with a very precise elaboration, and must have a high duration.

## PRODUCTION:

**Gestión de Compras** designs, develops and manufactures molds for injection molding, blow molding, rotational molding, thus as rubber molds, die casting molds and forging dies and specific molding tooling. Offering to customers a broad expertise in all stages of production of the mold and/or plastic parts. The success or failure of the project largely depends on a successful mold design.



We also offer services of rapid prototyping to make yours models and prototypes. They make possible verifying the form, fit, and function of a design.

## MATERIALS:

The materials used to build molds are very diverse and the choice will depend on the process to be used for making de plastic part and the size of the series. Moreover, materials are a primarily and important cost of the project.

These molds are usually manufactured in steel and non-ferrous metals:

- **Steel.** Steel presents high strength, good machinability, high thermal conductivity, etc. Is for these reason that it is the most employed material on the mold's manufacture.
- **Copper alloys.** These materials offer a high thermal conductivity and flexibility. Being most used Copper-beryllium-cobalt alloy, brass or bronze.

- **Aluminum alloys.** Present a low weight and high conductivity. Are widely used to produce blow molds and vacuum molds, especially aluminum alloys hardening by precipitation such as AlCuMg y AlMgSi.
- **Zinc alloys.** Present low strength qualities but could be used on blow molds and for vacuum casting due to these types are not subjected too high mechanical stress

### CONTACT:

In **Gestión de Compras** work with a wide range of customers from different sectors but have in common the search for products that suit your needs at the best Price and the guaranteed maximum quality. Check with us about any product. We have a qualified staff who will advise you.

**C/ Marzo, 9**

**02002 Albacete (Spain)**

**Phone: + (34) 967 221 602**

**Fax: + (34) 967 223 369**

**Email: [info@gestiondecompras.com](mailto:info@gestiondecompras.com)**

**PRODUCTS:**

